



SUPAROLL™

→ INTRODUCTION

>To answer the growing demand for a versatile and affordable motorised roller blind system for commercial and domestic applications, **REFLEX™ SHADING SYSTEMS** has developed the **SUPAROLL™ S4, S6, S8, S10, S12 and S15** ranges of 240 volt, motorised roller blind systems and components.

This system features a unique “spherical” bearing to support the high tensile, aluminium rollers together with a rigid or flexible drive shaft which allows the rollers to be linked in a straight line or axially misaligned, by up to 90° from straight, whilst still being driven by a single motor.

This versatility reduces motorisation costs considerably

Flexibility within the system also allows for single or linked blinds to be from 300 mm wide to 6,000 mm wide and more, in a single roller and fabric drops to be up to 15,000 mm. Many options are available for the system including various fabric densities and textures and mechanical accessories such as stainless steel hardware, side guide wires, spring assisted return, tension rollers for inclined installations, etc.

Combined with the vast range of **REFLEX™** control systems, from simple wall switches to remote controls, bus line systems and computer interfacing, the **REFLEX™ SUPAROLL™ SYSTEM** is the answer to all your motorised roller blind demands.

APPLICATION

>The **SUPAROLL™** is primarily utilised as a motorised internal window covering system where a sleek and clean appearance is required, with the minimum of visible hardware and minimum fabric “side gap”. Determination of which of the systems is best suited for an application shall be governed by factors such as desired fabric panel sizes, overall drop of the fabric when extended, suitable fixing points as well as operational speed and, of course, budgetary constraints. Typical applications to achieve maximum benefit would be curved or segmented windows, bay windows, very long windows such as corridors or very high windows such as showroom frontages.

REFLEX™ systems also feature the unique DUAL option where two roller blinds on parallel rollers can be affixed as one, giving facility for a light blocking element as well as a light screening element to present three options to a given window (open, screened & blackout).

The system also has components to cater for applications such as horizontal or inclined areas with the introduction of a second roller - the first with a motor and the second opposing roller with an integral spring tensioning system.

SPECIFICATIONS

(Detailed specification available)

>The system consists of S (single or individual), M (motor), I (intermediate) and T (tail) rollers in various combinations and can be 40, 60, 80, 100, 127 and 150 mm in diameter. The roller shall be 6106 aluminium alloy and have a natural anodised finish. The motor shall be positioned within either the single (S) roller or motor (M) roller (when multiple rollers are installed) and be adjoined to the intermediate (I) or tail (T) roller with a straight or flexible drive shaft.

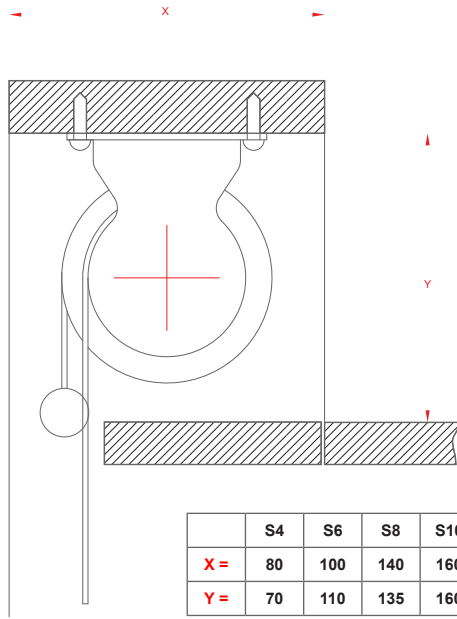
Upper and lower travel limit positioning shall be externally adjustable.

The system shall be fixed to the substrate with suitable fixings through the powder coated, zinc plated steel or stainless steel brackets.

Electrical connection shall be via a **MOLEX** inline connector.

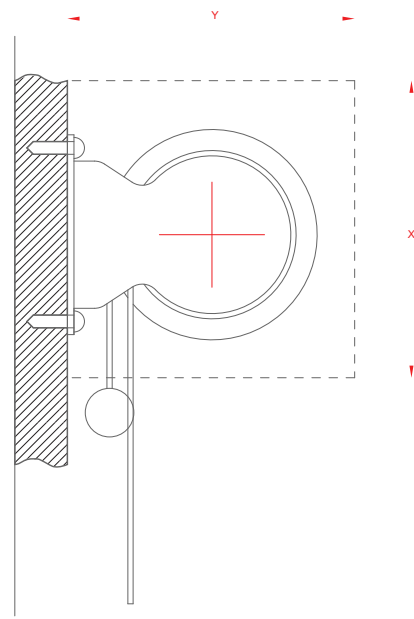
Minimum Width	=	300 mm
Maximum Width	=	7,500 mm
Minimum Drop	=	300 mm
Maximum Drop	=	15,000 mm

SUPAROLL™



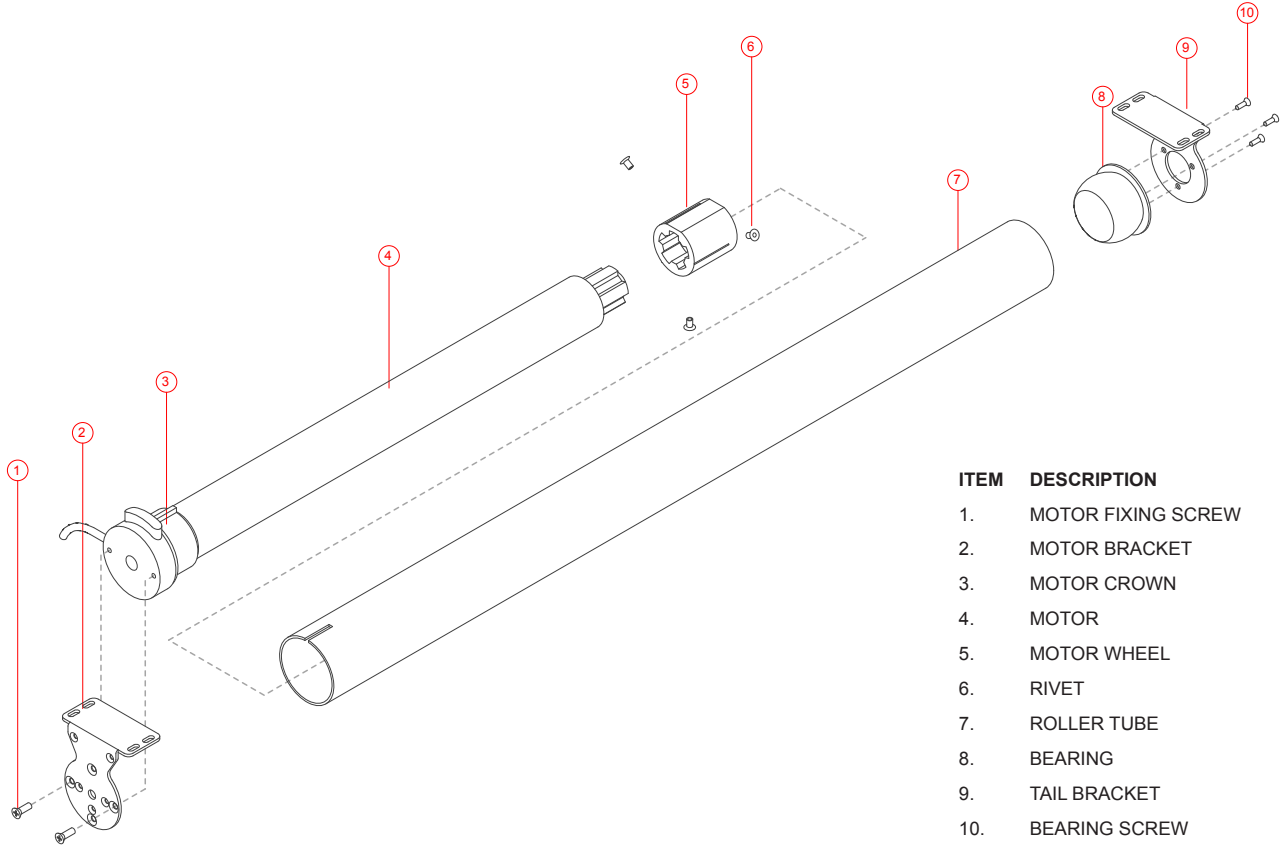
	S4	S6	S8	S10	S12	S15
X =	80	100	140	160	200	230
Y =	70	110	135	160	200	230

TOP FIX ARRANGEMENT



FACE FIX ARRANGEMENT

SUPAROLL™ SYSTEM EXPLODED



ITEM	DESCRIPTION
1.	MOTOR FIXING SCREW
2.	MOTOR BRACKET
3.	MOTOR CROWN
4.	MOTOR
5.	MOTOR WHEEL
6.	RIVET
7.	ROLLER TUBE
8.	BEARING
9.	TAIL BRACKET
10.	BEARING SCREW